



TRANSNET ENGINEERING

PRODUCT SYSTEMS DEVELOPMENT

SPECIFICATION FOR COMPLETE KINGPIN FOR NEW 12M LOWBED

Revision 00

Date of release

05 November 2024

PD_PRTS_NAT_SPEC_082

The information contained herein is the sole property of Transnet Engineering. It may not be used, disclosed or reproduced in part or in whole in any manner, except with the written permission of and in a manner permitted by the proprietor.

Signature of Bidder/s: _____

Date: _____

Document Name: Specification for Complete Kingpin for New 12m Lowbed

DOC. No : PD_PRTS_NAT_SPEC_082

Classification: Technical Specification

Revision: 00

Date: 05/11/2024

Page: 1 of 5



Table of Contents

1.0. INTRODUCTION.....	3
2.0. TECHNICAL REQUIREMENTS	3
3.0. OPERATING ENVIRONMENT	3
4.0. GENERAL REQUIREMENTS.....	3
5.0. SPECIFIC REQUIREMENTS	4
6.0. DOCUMENTATION.....	4
7.0. DOCUMENT AUTHORITIES.....	5

Signature of Bidder/s: _____

Date: _____

Document Name: Specification for Complete Kingpin for New 12m Lowbed

DOC. No : PD_PRTS_NAT_SPEC_082

Classification: Technical Specification

Revision: 00

Date: 05/11/2024

Page: 2 of 5

1.0. INTRODUCTION

- 1.1. This specification details the supply and delivery of all the components detailed in the subsections of this document.
- 1.2. This specification states the minimum requirements of the components and connectors, and in no way absolves the Supplier from the responsibility for sound engineering practice.
- 1.3. Any person with the intention of supplying the components and subcomponents shall ensure that the information below is complied with. The information or requirements are binding and must be supplied by either the supplier in consultation with Transnet or Transnet Engineer and must ensure that mutual agreement is reached between the two parties (Supplier and Transnet) before the supply of machinery or material.

2.0. TECHNICAL REQUIREMENTS

Discussed in the sub-sections below are the specifications and requirements for the complete kingpin for the new 12m lowbed trailer which should be complied with.

3.0. OPERATING ENVIRONMENT

The Components specified in this document will be exposed to the following ambient conditions:

- To be used in a corrosive environment (sea level)
- Temperature: 5°C - 45°C
- Humidity: Frequently 100%
- Air Pollution: Heavy saline, dust-laden and industrial fumes.

4.0. GENERAL REQUIREMENTS

The information in this section shall be provided by the supplier.

- The products names and models.
- The cost of the product, component or system.
- All product, component or system datasheets
- The supplier shall only provide components that are of proven design.
- All components must be dust proof and watertight, where applicable.
- Each component/product shall include a 6 month defects free period in addition to a minimum of two (2) year warranty. Verifiable warranty documents are to be furnished by the supplier.

Signature of Bidder/s: _____

Date: _____

Document Name: Specification for Complete Kingpin for New 12m Lowbed

DOC. No : PD_PRTS_NAT_SPEC_082

Classification: Technical Specification

Revision: 00

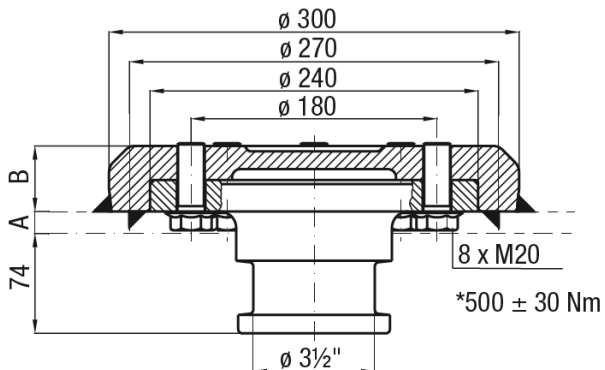
Date: 05/11/2024

Page: 3 of 5

5.0. SPECIFIC REQUIREMENTS

5.1. Technical Requirements

The following table contains technical information of the equipment needed:

Item Name	Technical Requirements	Example of Brand
Complete Kingpin (KZ1016)		Brand: Jost KZ1016 or equivalent

6.0. DOCUMENTATION

The following documents shall be obtained for the procurement process.

- Itemized cost breakdown
- Brochure of the various components where applicable
- The product(s) must be supplied with a detailed maintenance manual to have sufficient information to allow the terminal to capture maintenance schedules in terms of inspections, servicing and replacement of parts.
- The supplier shall provide documentation outlining the warranty of the product and what is covered.

Signature of Bidder/s: _____

Date: _____

Document Name: Specification for Complete Kingpin for New 12m Lowbed

DOC. No : PD_PRTS_NAT_SPEC_082

Classification: Technical Specification

Revision: 00

Date: 05/11/2024

Page: 4 of 5

7.0. DOCUMENT AUTHORITIES

A handwritten signature in black ink, appearing to read "Laventhran Naidoo", written over a horizontal line.

Laventhran Naidoo
Senior Engineer, Port Equipment
Product and Systems Development
Date: 05 / 11 /2024

Signature of Bidder/s: _____

Date: _____

Document Name: Specification for Complete Kingpin for New 12m Lowbed

DOC. No : PD_PRTS_NAT_SPEC_082

Classification: Technical Specification

Revision: 00

Date: 05/11/2024

Page: 5 of 5