

LEASED PREMISES AND OTHER PROPERTY

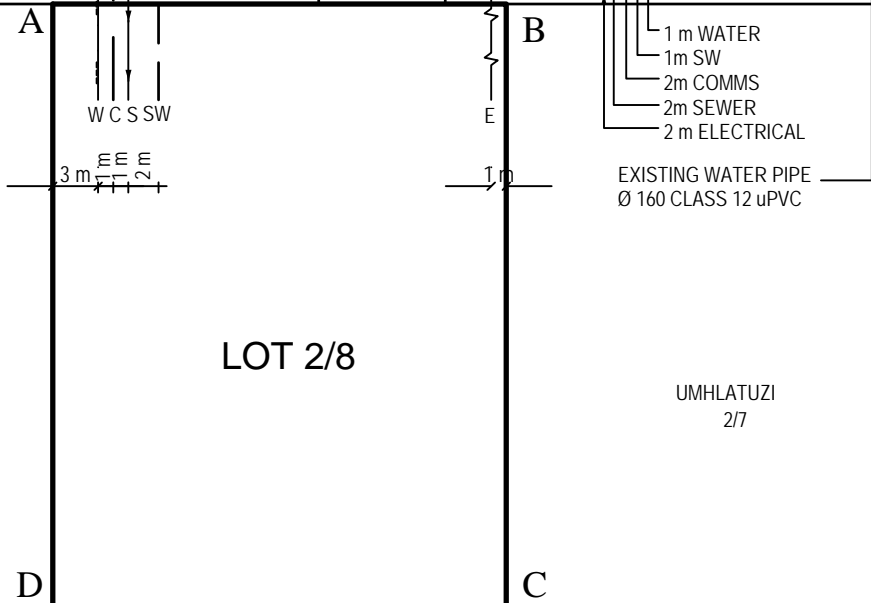
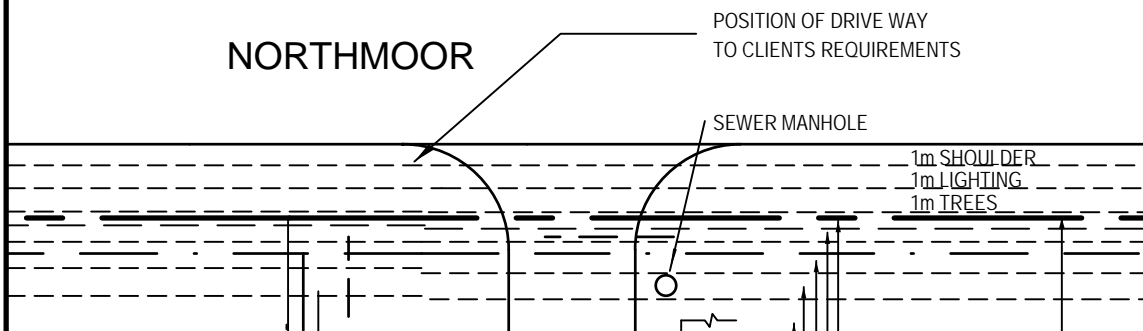
LEASED PREMISES	LAND SITUATED ON SUB 21 (OF 8) OF LOT 5333
SURROUNDING PROPERTY	UMHLATUZI LEASE SITES
COMMON AREAS	NEWARK, VENTURA & NORTHMOOR ROADS

LEGEND

- W - WATER ENTRY POINT
 - E - ELECTRICAL ENTRY POINT
 - S - SEWER ENTRY POINT
 - C - COMMUNICATION ENTRY POINT
 - SW - STORMWATER ENTRY POINT
- SITE BOUNDARIES PEGS & SERVICE CONNECTIONS TO BE VERIFIED ON SITE BY PORTNET CIVIL ENGINEER



NORTHMOOR



DETAIL A

NTS



LOCALITY PLAN

NTS

SYSTEM Lo 31° EAST

CO-ORDINATE LIST

	Y	X
A	-100 682.52	3 185 707.50
B	-100 712.52	3 185 707.50
C	-100 712.52	3 185 747.78
D	-100 682.52	3 185 747.78

REFERENCE DRAWING :

RBH 86-T-303 - DRIVEWAY DETAIL TYPE A

DRAWN	D NAIDOO	CHECKED	
LESSEE		PORT MANAGER	
DATE		DATE	
		PORT OF RICHARDS BAY UMHLATUZI - LOT 2/8	
		LEASE OF LAND IN EXTENT 1 200 m ² UMHLATUZI LEASE SITES	
PORT ENGINEER (B NGCOBO Pr Eng)		AGREEMENT PLAN NOT TO SCALE	
DATE		FILE	DATE 2015-06-10
		AMEND.	
		CAD NO	LEASE LOT 2-8
		RBH 86-A-677	